

# ATS48C17Y

soft starter for asynchronous motor - ATS48 - 156  
A - 208..690 V - 37..160 KW

Product availability : Stock - Normally stocked in distribution facility



Price\*\* : 2,415.00 USD



## Main

|                              |  |
|------------------------------|--|
| Range of product             | Altistart 48   |
| Product or component type    | Soft starter   |
| Product destination          | Asynchronous motors  |
| Product specific application | Heavy duty industry and pumps  |
| Device short name            | ATS48  |
| Power supply voltage         | 208...690 V - 15...10 %  |
| Motor power kW               | 110 kW 500 V for standard applications<br>110 kW 525 V for standard applications<br>110 kW 660 V for severe applications<br>110 kW 690 V for severe applications<br>132 kW 660 V for standard applications<br>160 kW 690 V for standard applications<br>37 kW 230 V for severe applications<br>45 kW 230 V for standard applications<br>75 kW 400 V for severe applications<br>75 kW 440 V for severe applications<br>90 kW 400 V for standard applications<br>90 kW 440 V for standard applications<br>90 kW 500 V for severe applications<br>90 kW 525 V for severe applications |
| Maximum Horse Power Rating   | 100 hp 460 V for severe applications<br>125 hp 460 V for standard applications<br>125 hp 575 V for severe applications<br>150 hp 575 V for standard applications<br>40 hp 208 V for severe applications<br>50 hp 208 V for standard applications<br>50 hp 230 V for severe applications<br>60 hp 230 V for standard applications   |
| Power dissipation in W       | 391 W for standard applications<br>479 W for standard applications   |
| Utilisation category         | AC-53A   |
| Type of start                | Start with torque control (current limited to 5 In)  |
| Icl nominal current          | 170 A connection in the motor supply line for severe applications  |

|                         |      |
|-------------------------|------|
| IP degree of protection | IP00 |
|-------------------------|------|

## Complementary

|                                    |  |
|------------------------------------|--|
| Assembly style                     | With heat sink   |
| Function available                 | External bypass (optional)   |
| Power supply voltage limits        | 177...759 V  |
| Power supply frequency             | 50...60 Hz - 5...5 %   |
| Power supply frequency limits      | 47.5...63 Hz   |
| Device connection                  | In the motor supply line   |
| Factory setting current            | 156 A  |
| [Uc] control circuit voltage       | 110 - 15 % to 230 + 10 %, 50/60 Hz   |
| Control circuit consumption        | 30 W   |
| Discrete output number             | 2  |
| Discrete output type               | LO1) logic output 0 V common configurable<br>LO2) logic output 0 V common configurable<br>R1) relay outputs fault relay NO<br>R2) relay outputs end of starting relay NO<br>R3) relay outputs motor powered NO |
| Output absolute accuracy precision | +/- 5 %  |
| Minimum switching current          | 10 mA 6 V DC relay outputs   |
| Maximum switching current          | Logic output 0.2 A 30 V DC<br>Relay outputs 1.8 A 230 V AC inductive, cos phi = 0.5 20 ms<br>Relay outputs 1.8 A 30 V DC inductive, cos phi = 0.5 20 ms  |
| Discrete input number              | 5  |
| Discrete input type                | PTC, 750 Ohm 77 °F (25 °C)<br>Stop, Run, LI3, LI4) logic, <= 8 mA 4300 Ohm   |
| Discrete input voltage             | 24 V <= 30 V   |
| Discrete input logic               | Positive logic Stop, Run, LI3, LI4 < 5 V <= 2 mA > 11 V, >= 5 mA   |
| Starting current                   | 0.4...1.3 Icl adjustable   |
| Analogue output type               | Current output AO 0-20 mA or 4-20 mA 500 Ohm   |
| Communication port protocol        | Modbus   |
| Connector type                     | 1 RJ45   |
| Communication data link            | Serial   |
| Physical interface                 | RS485 multidrop  |
| Transmission rate                  | 4800, 9600 or 19200 bps  |
| Max nodes number                   | 31   |
| Protection type                    | Phase failure line<br>Thermal protection motor<br>Thermal protection starter   |
| Marking                            | CE   |
| Type of cooling                    | Forced convection  |
| Operating position                 | Vertical +/- 10 degree   |
| Height                             | 13.39 in (340 mm)  |
| Width                              | 7.87 in (200 mm)   |
| Depth                              | 10.43 in (265 mm)  |
| Net weight                         | 27.34 lb(US) (12.4 kg)   |
| Motor power range AC-3             | 30...50 kW 200...240 V 3 phase<br>55...100 kW 380...440 V 3 phase<br>110...220 kW 480...500 V 3 phase  |
| Motor starter type                 | Soft starter   |

## Environment

|                               |  |
|-------------------------------|--|
| Electromagnetic compatibility | Conducted and radiated emissions level A IEC 60947-4-2<br>Conducted and radiated emissions level B IEC 60947-4-2<br>Damped oscillating waves level 3 IEC 61000-4-12<br>Electrostatic discharge level 3 IEC 61000-4-2 |
|-------------------------------|--|

Immunity to electrical transients level 4 IEC 61000-4-4  
 Immunity to radiated radio-electrical interference level 3 IEC 61000-4-3  
 Voltage/current impulse level 3 IEC 61000-4-5

|                                       |  |
|---------------------------------------|--|
| Standards                             | EN/IEC 60947-4-2   |
| Product certifications                | GOST<br>CCC<br>C-Tick<br>TCF<br>SEPRO<br>NOM 117<br>UL<br>CSA<br>DNV   |
| Vibration resistance                  | 1 gn 13...200 Hz)EN/IEC 60068-2-6<br>1.5 mm 2...13 Hz)EN/IEC 60068-2-6   |
| Shock resistance                      | 15 gn 11 ms EN/IEC 60068-2-27  |
| Noise level                           | 50 dB  |
| Pollution degree                      | Level 3 IEC 60664-1  |
| Relative humidity                     | 0...95 % without condensation or dripping water EN/IEC 60068-2-3   |
| Ambient air temperature for operation | 104...140 °F (40...60 °C) with current derating of 2 % per °C)<br>14...104 °F (-10...40 °C) without)                           |
| Ambient air temperature for storage   | -13...158 °F (-25...70 °C)   |
| Operating altitude                    | <= 3280.84 ft (1000 m) without<br>> 3280.84...6561.68 ft (> 1000...2000 m) with current derating of 2.2 % per additional 100 m |

### Ordering and shipping details

|                     |                              |
|---------------------|------------------------------|
| Category            | 22579 - OPEN ATS48 ALTISTART |
| Discount Schedule   | CP1G                         |
| GTIN                | 00785901982388               |
| Package weight(Lbs) | 14.64 kg (32.28 lb(US))      |
| Returnability       | Yes                          |
| Country of origin   | ID                           |

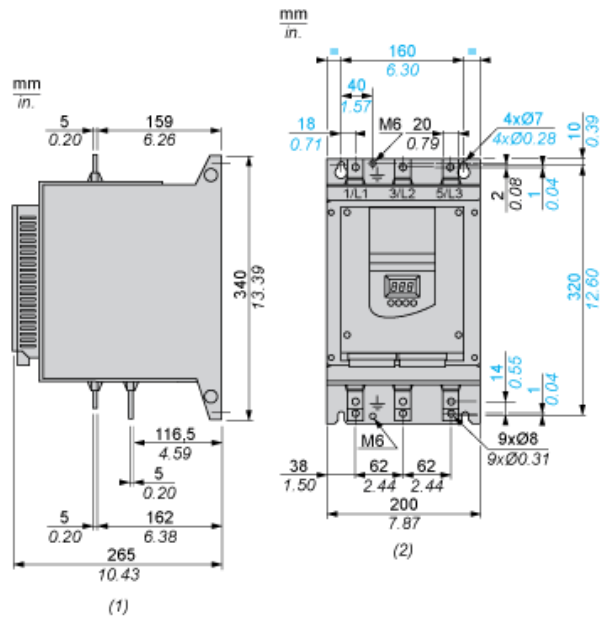
### Offer Sustainability

|                            |  |
|----------------------------|--|
| Sustainable offer status   | Green Premium product  |
| REACH Regulation           | <a href="#">REACH Declaration</a>  |
| EU RoHS Directive          | Pro-active compliance (Product out of EU RoHS legal scope)<br><a href="#">EU RoHS Declaration</a>                            |
| Mercury free               | Yes  |
| RoHS exemption information | <a href="#">Yes</a>  |
| China RoHS Regulation      | <a href="#">China RoHS declaration</a>   |
| Environmental Disclosure   | <a href="#">Product Environmental Profile</a>  |
| Circularity Profile        | <a href="#">End of Life Information</a>  |
| WEEE                       | The product must be disposed on European Union markets following specific waste collection and never end up in rubbish bins. |

### Contractual warranty

|          |           |
|----------|-----------|
| Warranty | 18 months |
|----------|-----------|

Dimensions



- (1) Right View
- (2) Front View

Clearance

